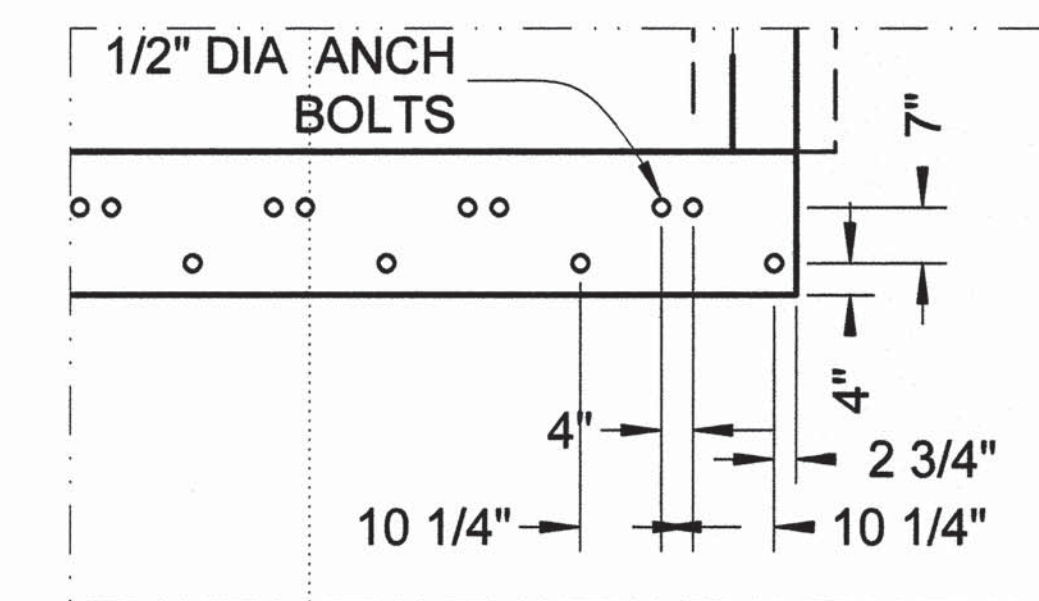


ALL HORIZONTAL BARS IN WALLS AND GRADE BEAMS ARE TO BE MADE CONTINUOUS AROUND CORNERS, OR CORNERBARS OF SAME SIZE AND SPACING ARE TO BE PROVIDED. STANDARD HOOKS ARE SUFFICIENT. ~WHERE WALL HAVE UNEQUAL REINFORCEMENT, MATCH THE HEAVIER. ~WHERE PLANS SPECIFY CORNER BARS DIFFERENTLY THAN ABOVE, THE PLANS SHALL CONTROL.

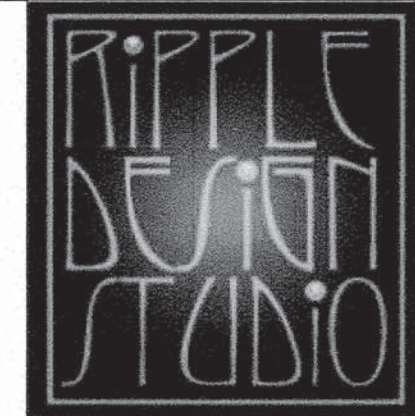
**TABLE OF CONTENTS**

S1.0 FOUNDATION PLAN  
 S2.0 LEVEL 2 FRAMING PLAN  
 S3.0 ROOF FRAMING PLAN

CONTRACTOR'S NOTE: CONFIRM ANCHOR BOLT LAYOUT ON PLANS WITH METAL BUILDING SHOP DRAWINGS AND ARCHITECTURAL DRAWINGS. REPORT ANY DISCREPANCIES TO THE AOR AND EOR



- NOTES:**
1. COMPACTION TESTING REQUIRED BEFORE PLACEMENT OF FOOTINGS ON DISTURBED SOIL OR FILL. MAXIMUM SOIL BEARING PRESSURE = 2,500 PSF
  2. SEE STRUCTURAL NOTES FOR REQUIRED CONCRETE STRENGTHS.
  3. INTERIOR SLAB ON GRADE IS 4" THICK REINFORCED WITH #3 @ 12" O.C. EA WAY. EXTERIOR SLAB ON GRADE IS 4" THICK REINFORCED WITH #3 @ 12" O.C. EA WAY UNLESS NOTED OTHERWISE.
  4. BOTTOM OF NEW FOOTINGS SHALL BE A MINIMUM 24 INCHES BELOW GRADE UNO.
  5. TOP OF CONC PIER TO BE FLUSH W/ TOP OF SLAB UNO.
  6. FOOTING WIDTH EQUALS 18" UNLESS NOTED OTHERWISE.
  7. PROVIDE SOLID BLOCKING AS REQUIRED TO CREATE CONTINUOUS LOAD PATH TO TOP OF CONCRETE AT EA COLUMN LOCATION ~TYP
  8. INSTALL 1/2" DIA ANCH BOLTS IN TOP OF FNDN @ 32" O.C. FOR STUD WALLS AND AS SHOWN ON PLAN ~CONFIRM LOCATIONS WITH QUONSET HUT SHOP DRAWINGS
  9. COORDINATE FLOOR DRAIN SIZE AND LOCATIONS WITH PLUMBING CONTRACTOR



719-221-3232  
 1219 Harrison Ave.  
 Leadville, CO 80641  
 ripple@rockymountains.net

Owner:  
 Timothy & Verhoeven  
 Patsy Home

**New Mountain Home**  
 58 Wabun Way  
 Como, Colorado



CD 071615

**FOUNDATION**  
**S1.0**